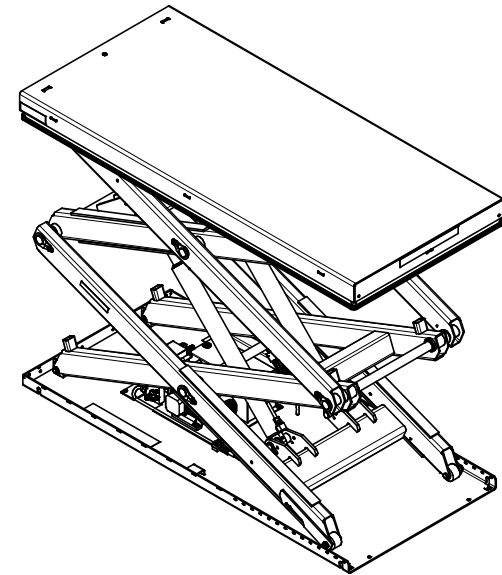
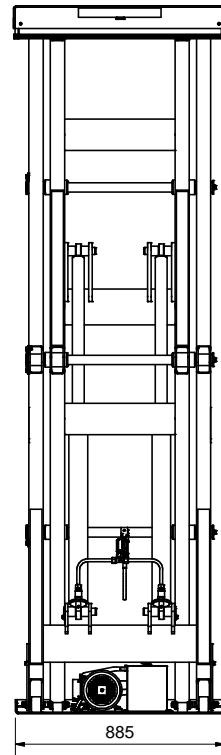
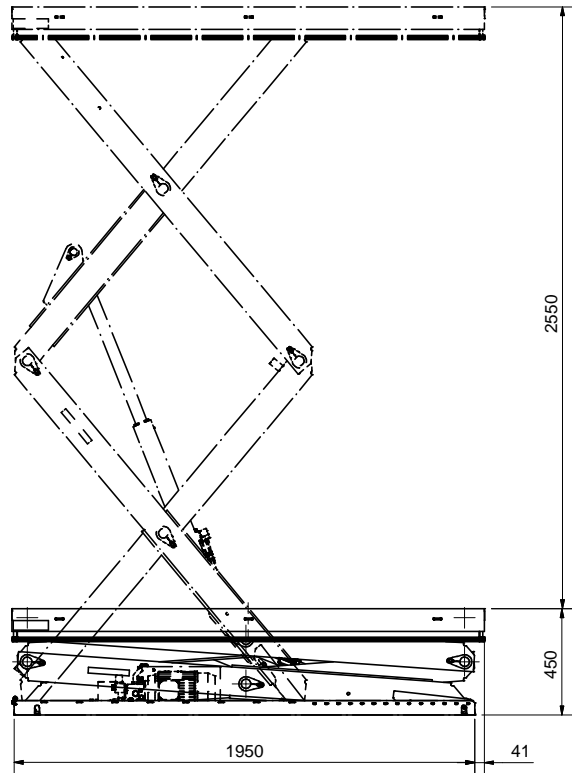



This document must not be copied, altered, or
 written permission, and the contents thereof must
 not be imparted to a third party nor be used for
 any unauthorized purpose. Contamination will be
 penalized.



Lyftbord		Drawn	LENRO	Date	2015-07-14
Smst		Scale	1 : 15	Est. weight	N/A
TAD 2000		Document kind	Konstruktionsritning		
	General tolerances for dimensions without indication according to ISO 2768-m	System	Inventor		
		Sheet size	A2		
		Drawing no	611666		Revision
					-