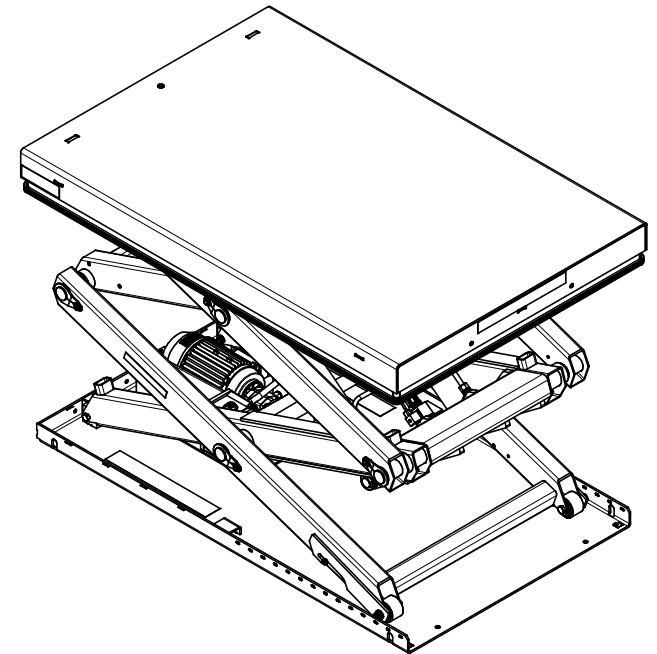
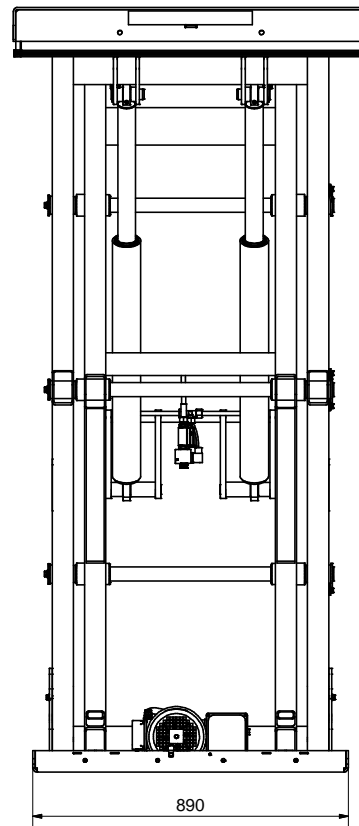
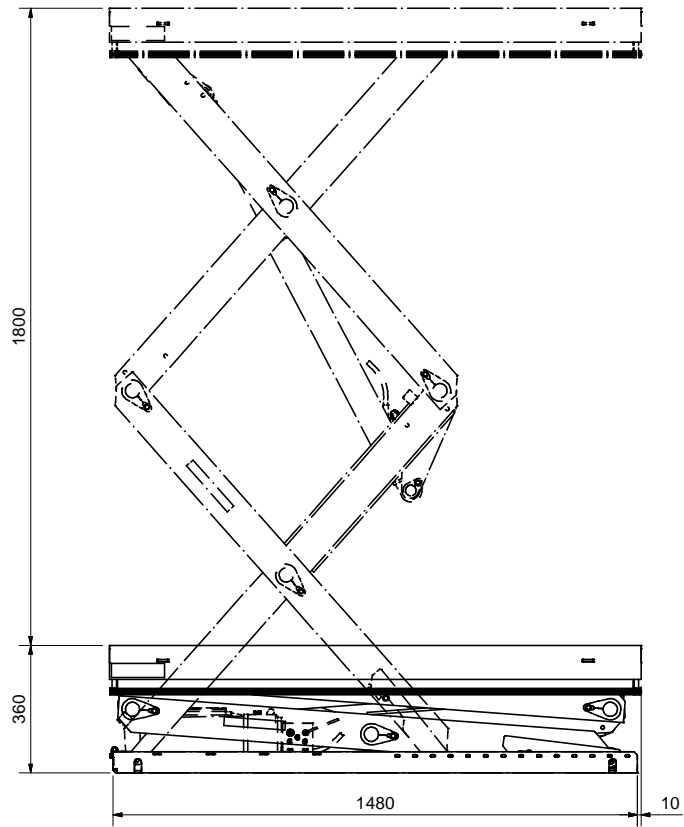



This document must not be copied, without our written permission, and the contents thereof must not be imparted to a third party nor be used for any unauthorized purpose. Contention will be pursued.



Lyftbord		Drawn	LENRO	Date	2015-02-04
Smst		Scale	1:10	Est. weight	N/A
TBD 2000 (1500x1000)		Document kind	Konstruktionsritning		
 General tolerances for dimensions without indication according to ISO 2768-m	System	Inventor	Drawing no	Revision	
	Sheet size	A2	611320	-	