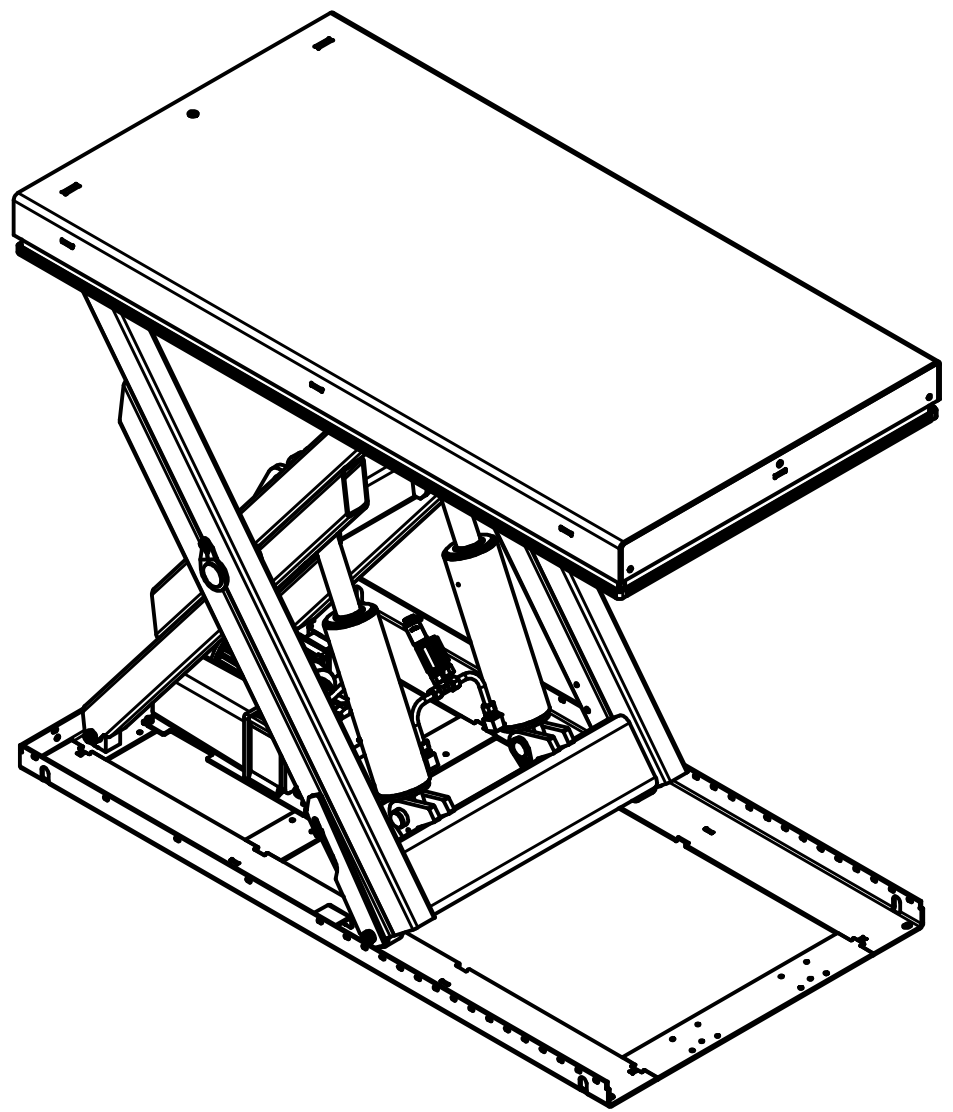
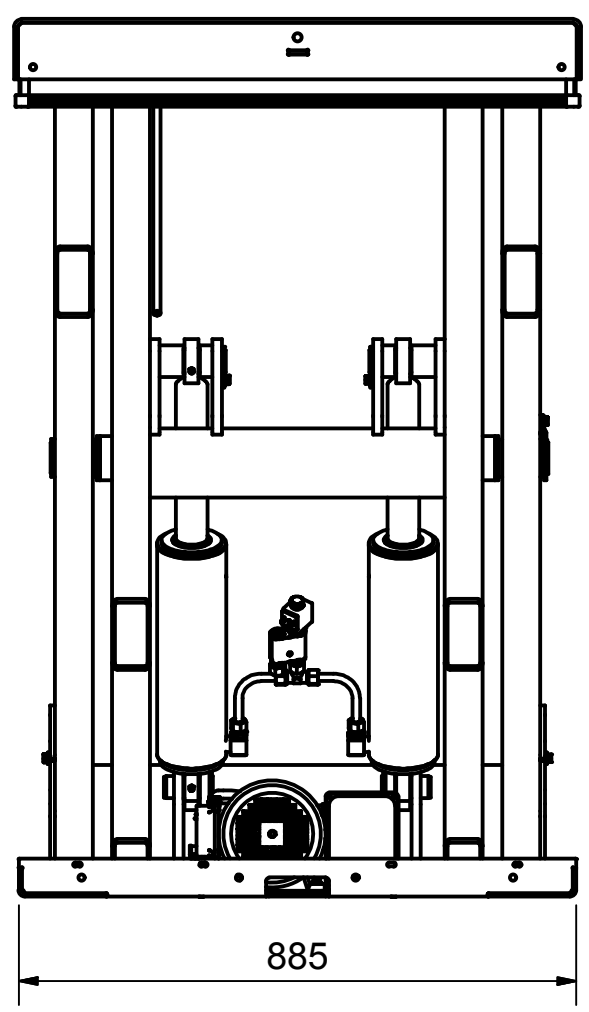
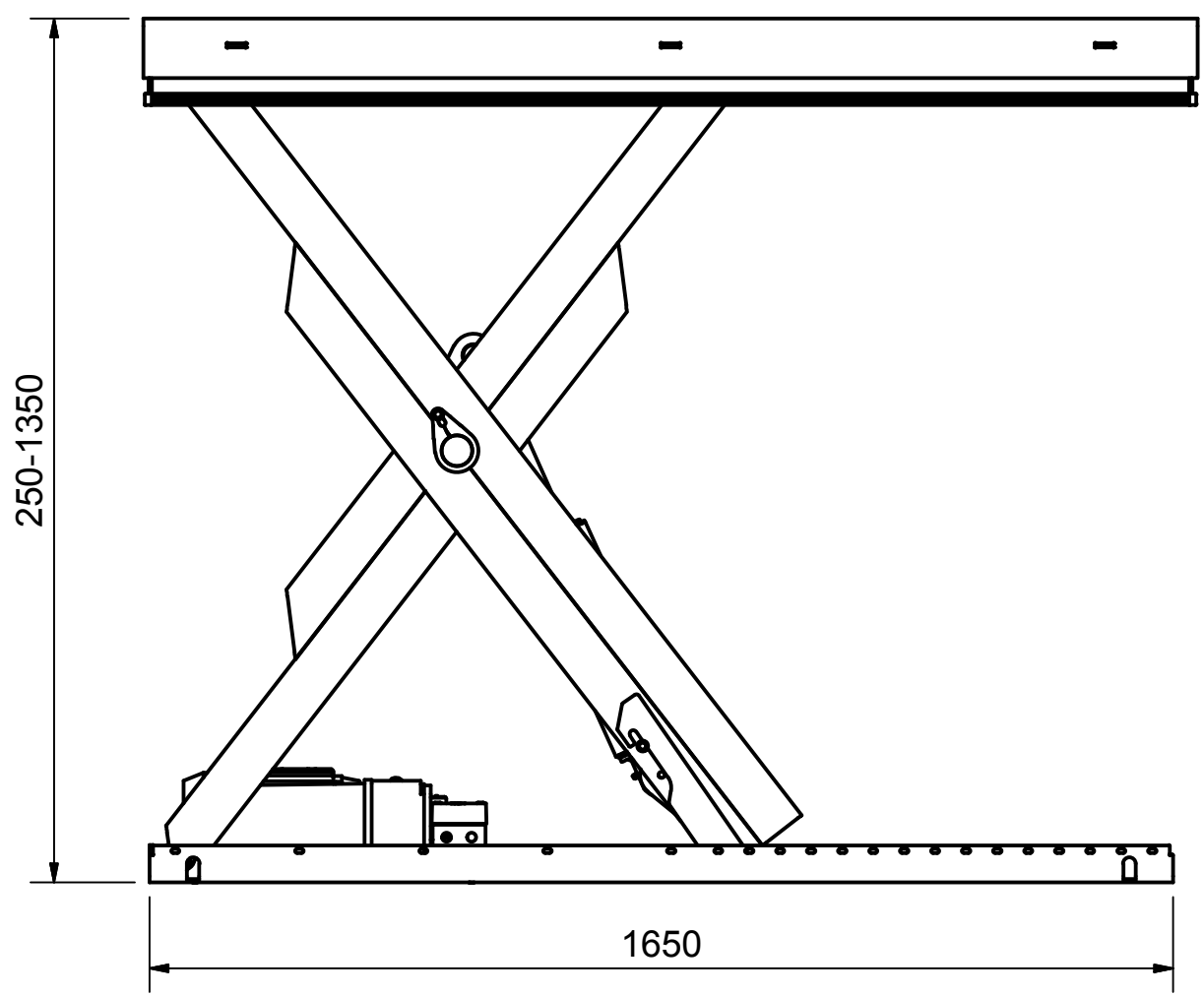



This document must not be copied without our written permission, and the contents thereof must not be imparted to a third party nor be used for any unauthorized purpose. Contravention will be prosecuted.



|   |  |  |                            |
|---|--|--|----------------------------|
| Lyftbord<br>Sammanställning<br>TM 3000 (1700x900)   |  | Drawn<br><b>ROBBE</b>                        | Date<br>2010-06-28         |
|   |  | Scale<br>1:15                                | Est. weight<br>N/A         |
|   |  | Document kind<br><b>Konstruktionsritning</b> |                            |
|  General tolerances for dimensions without indication according to<br>ISO 2768-m |  | System<br><b>Inventor</b>                    | Drawing no<br><b>33180</b> |
|   |  | Sheet size<br><b>A3</b>                      | Revision<br><b>E</b>       |