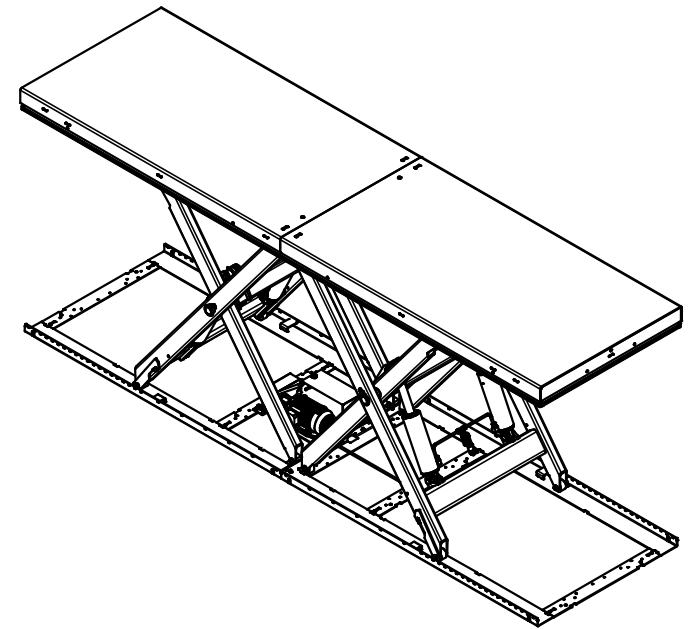
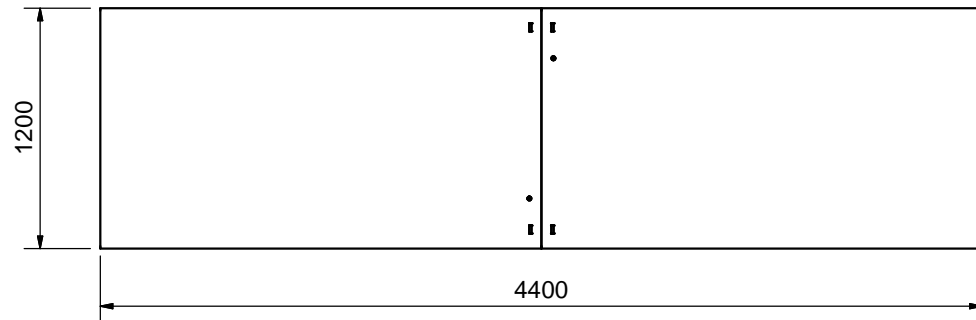
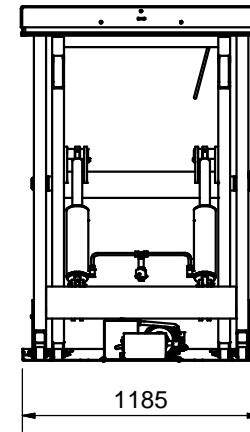
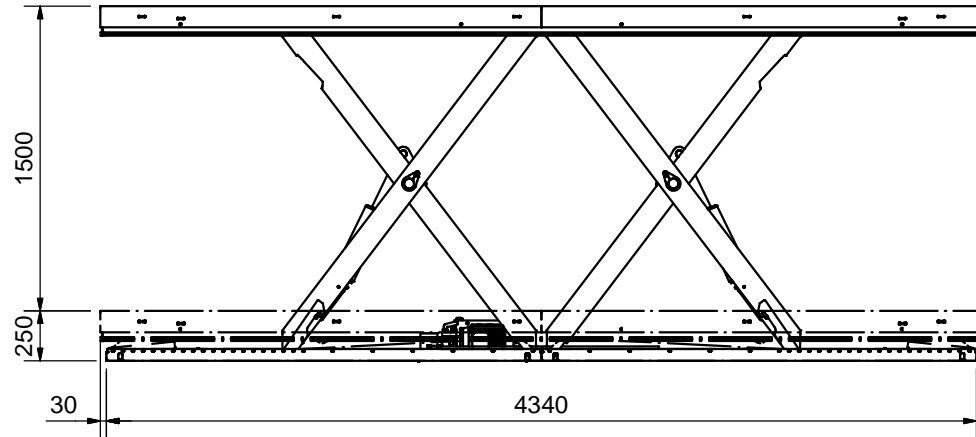



This document must not be copied without our written permission, and the contents thereof must not be imparted to a third party nor be used for any unauthorized purpose. Contravention will be prosecuted.



Lyftbord Sammanställning TSH 4001 (4400x1200)		Drawn <b>PERGR</b>	Date 2014-08-20
		Scale 1 :25	Est. weight N/A
		Document kind <b>Konstruktionsritning</b>	
		System <b>Inventor</b>	Drawing no <b>610970</b>
General tolerances for dimensions without indication according to ISO 2768-m		Sheet size <b>A3</b>	Revision -