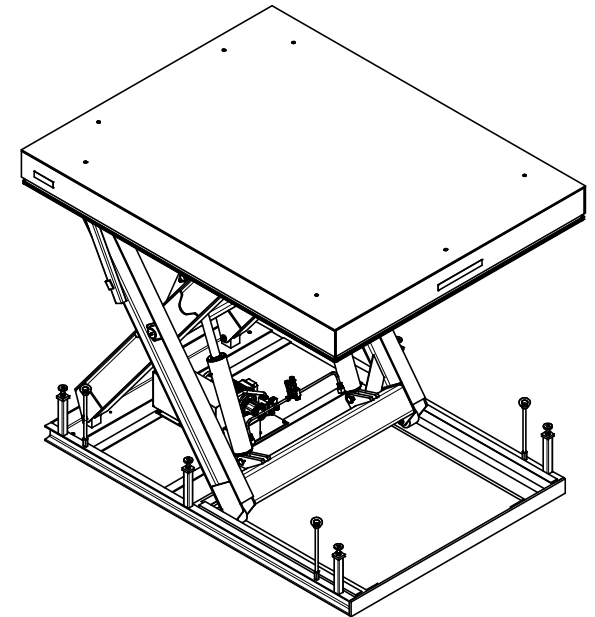
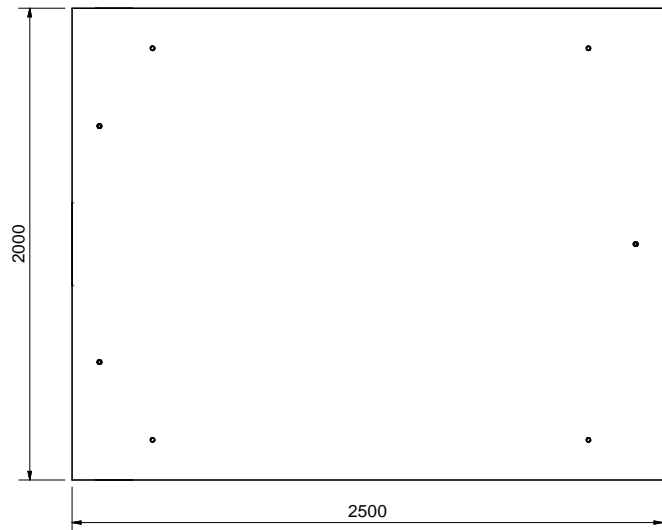
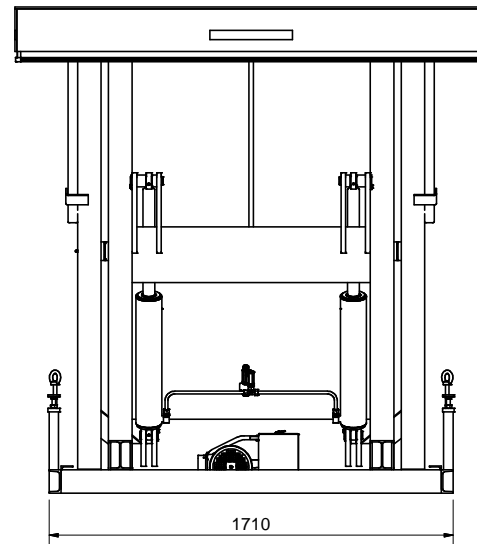
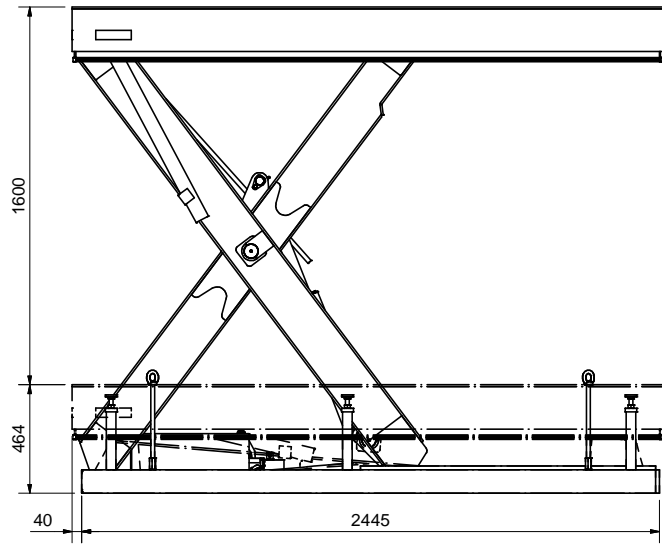



This document must not be copied, altered, or
 written permission, and the contents thereof must
 not be imparted to a third party nor be used for
 any unauthorized purpose. Contention will be
 prosecuted.



| | | | | | |
|---|--|---------------|----------------------|-------------|------------|
| Kajbord | | Drawn | LENRO | Date | 2015-05-29 |
| Sammanställning | | Scale | 1:20 | Est. weight | N/A |
| TTV 4B (2500x2000) | | Document kind | Konstruktionsritning | | |
|  General tolerances for dimensions without indication according to ISO 2768-m | System Inventor Sheet size A2 | Drawing no | | Revision | |
| | | 36297 | | A | |