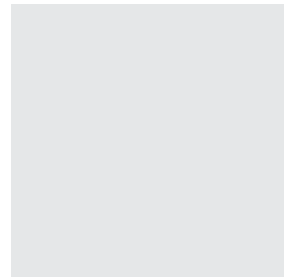
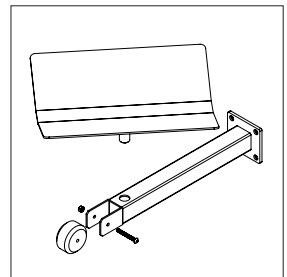
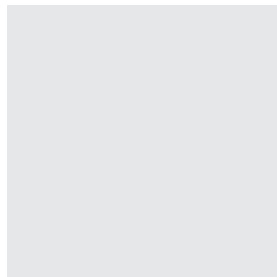
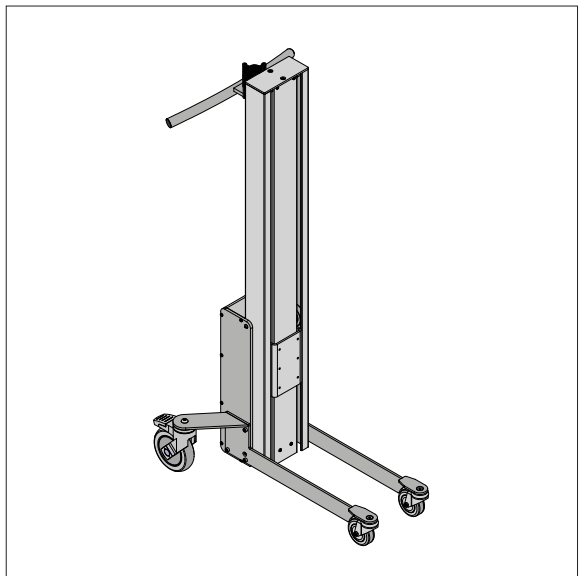
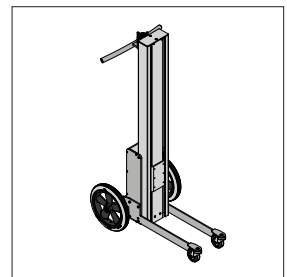
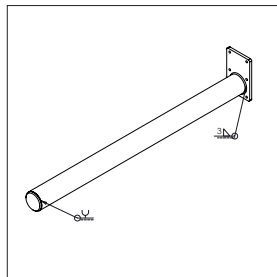
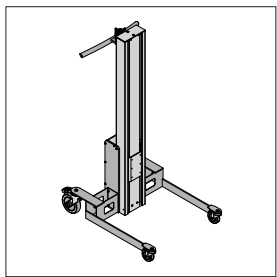
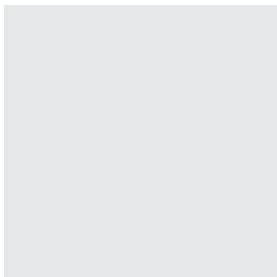


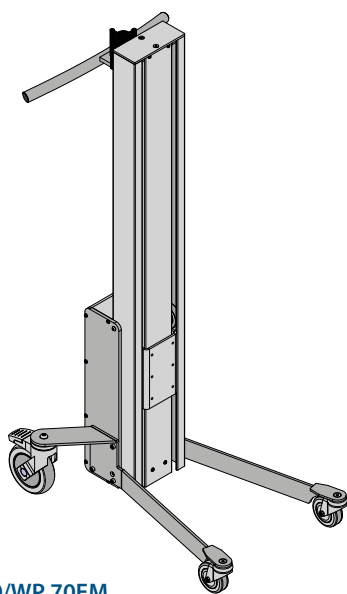
WP 70 LIFT TROLLEYS & TOOLS

- DRAWINGS & MEASUREMENTS

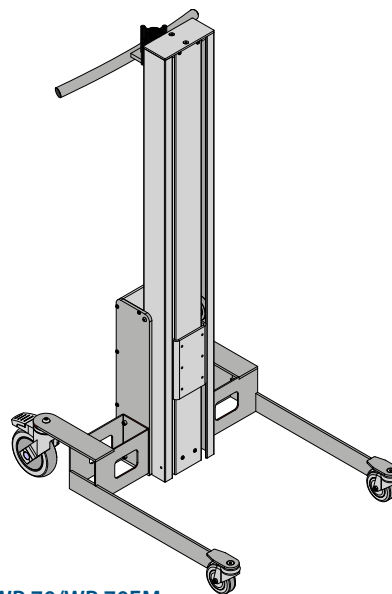


WP 70

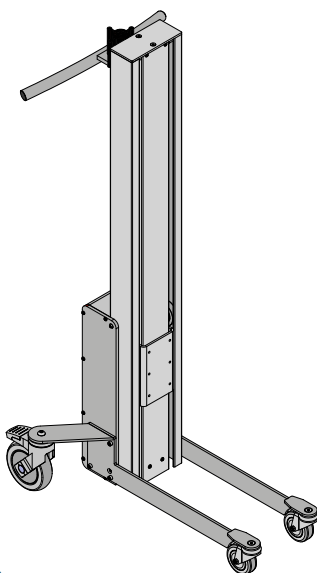
3 MAST HEIGHTS AND 4 LEG TYPES



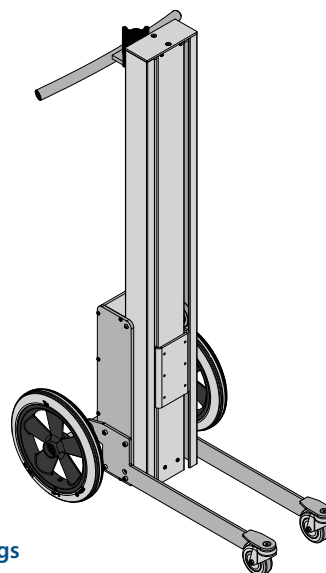
Angled Legs
WP 70S/WP 70/WP 70EM



Box Legs
WP 70S/WP 70/WP 70EM



Straight Legs
WP 70S/WP 70



Sack Truck Legs
WP 70S

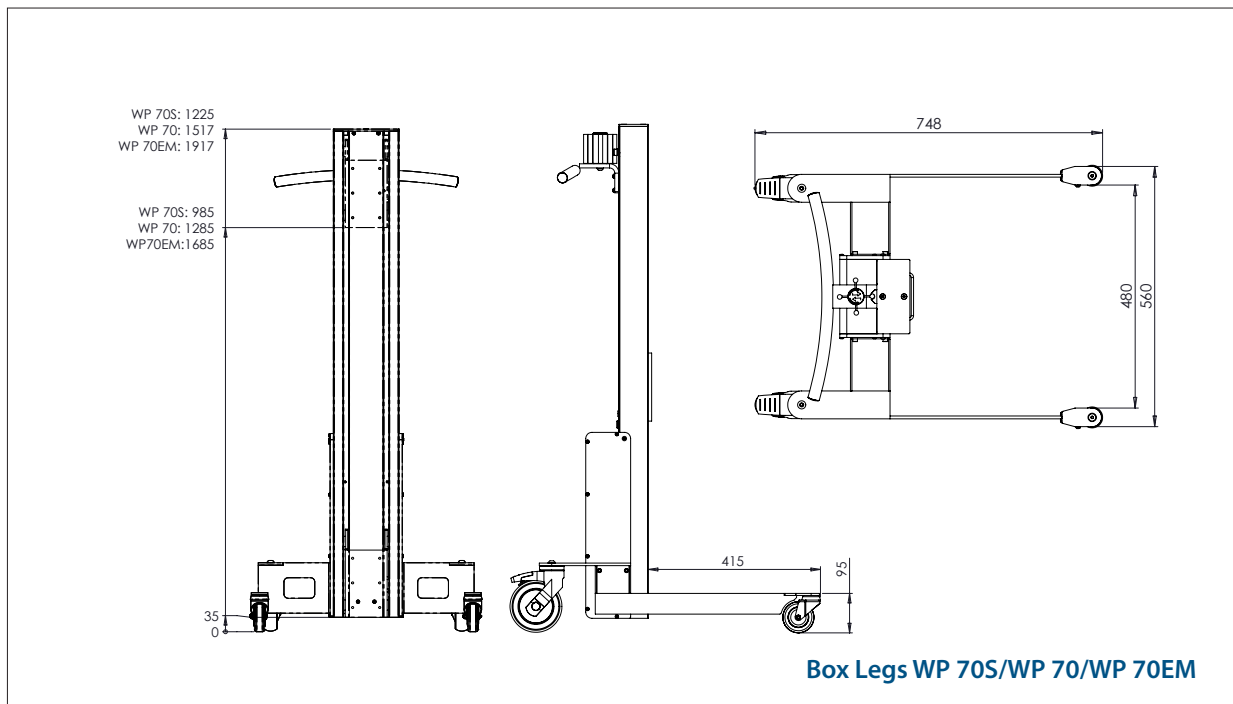
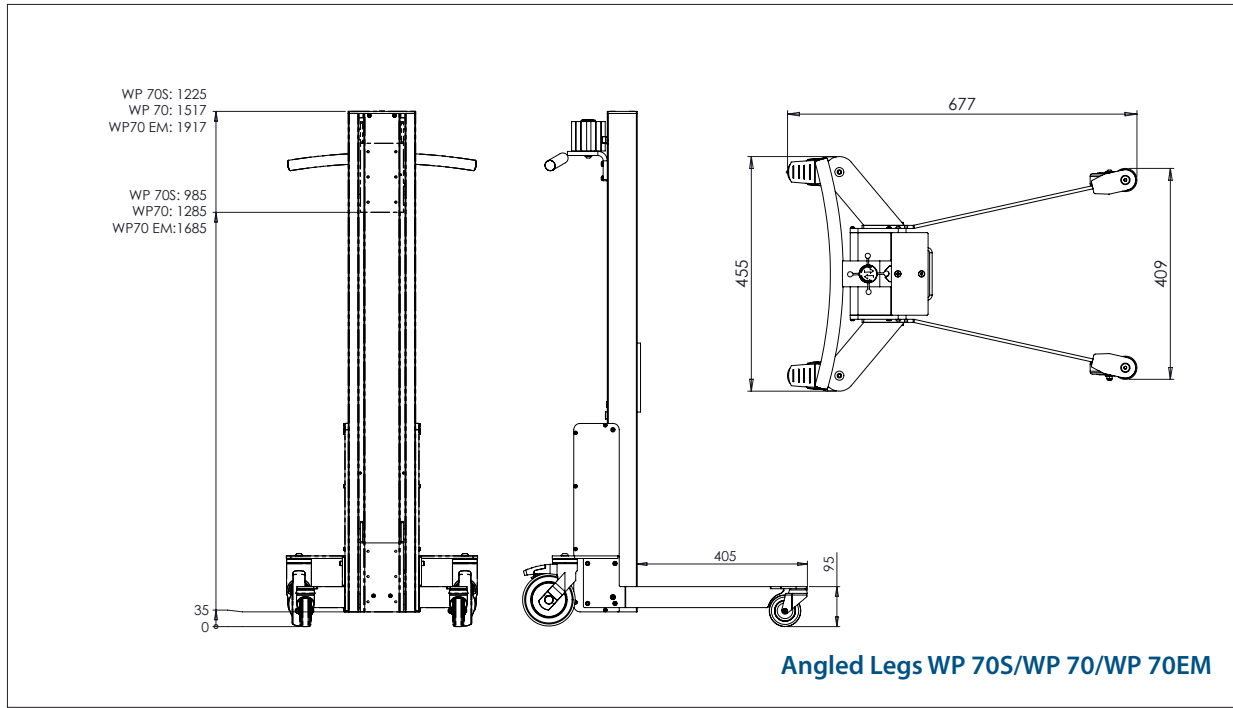
EdmoLift AB

Jägaregatan 11, SE-871 42 Härnösand, Sweden, Tel +46 (0)611-837 80
Fax +46 (0)611-51 15 80, E-mail: b2b@edmolift.se

WP 70

LIFTERS - DRAWINGS & MEASUREMENTS

- All measurements in mm



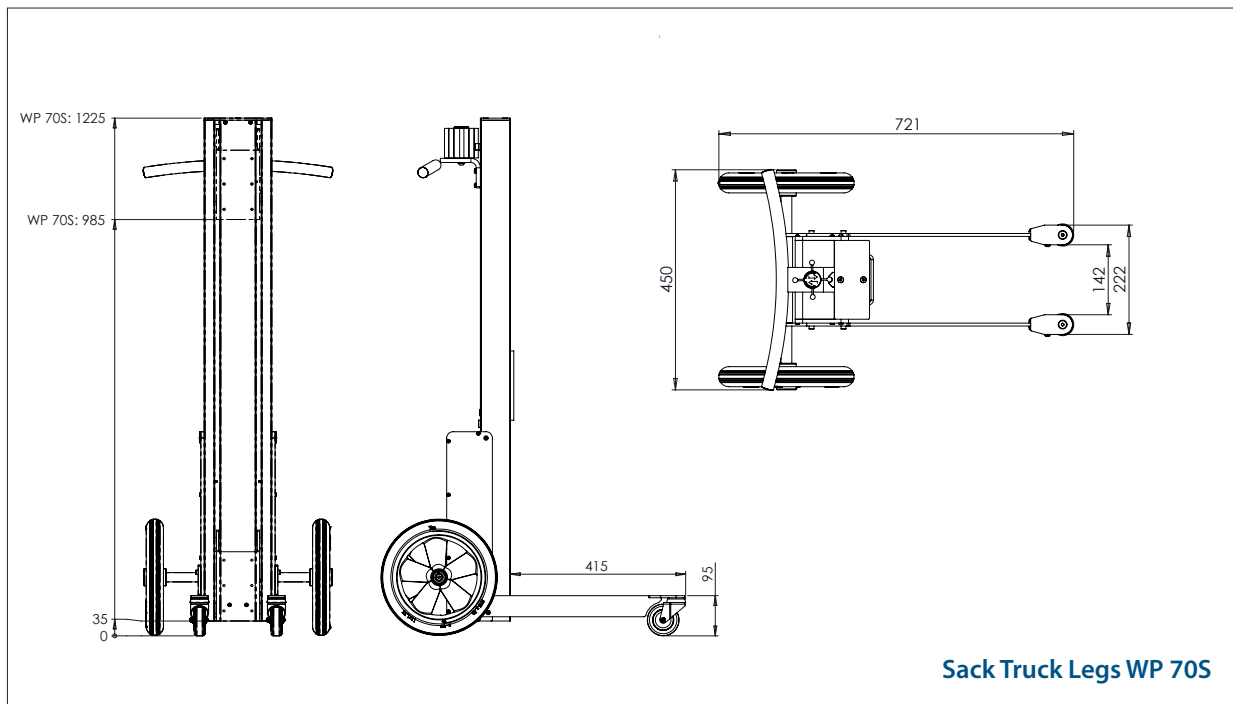
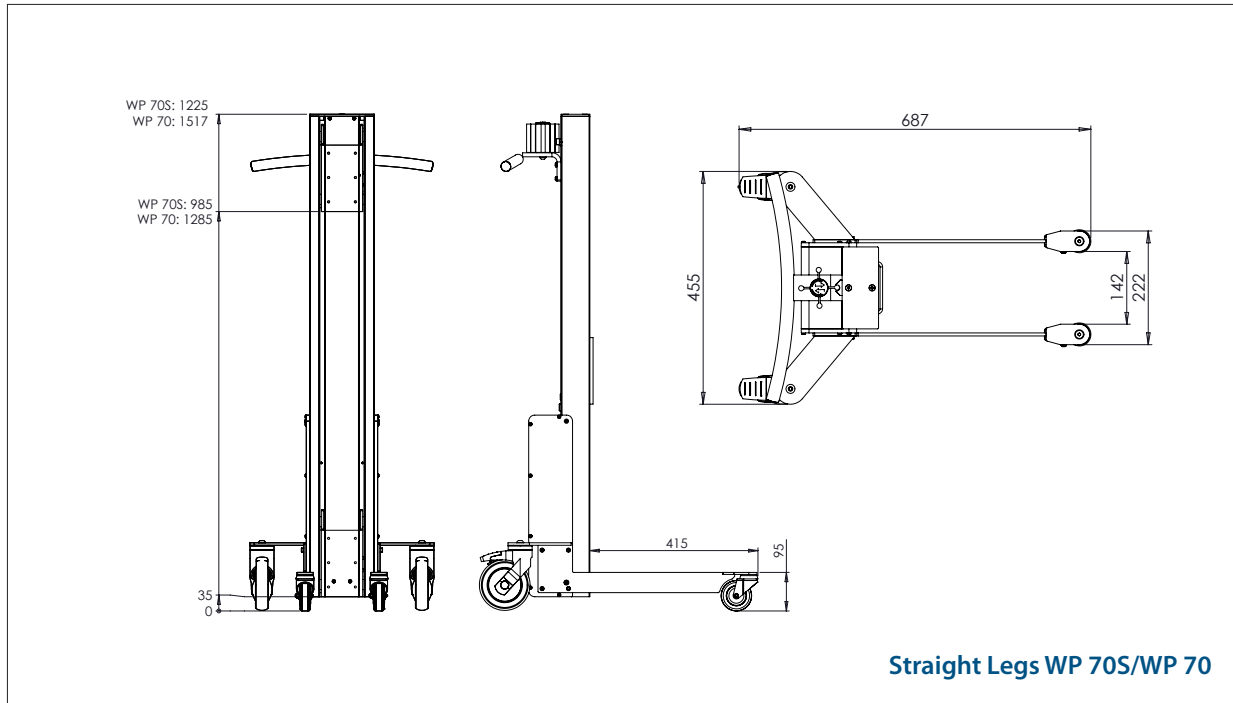
EdmoLift AB

Jägaregatan 11, SE-871 42 Härnösand, Sweden, Tel +46 (0)611-837 80
Fax +46 (0)611-51 15 80, E-mail: b2b@edmolift.se

WP 70

LIFTERS - DRAWINGS & MEASUREMENTS

- All measurements in mm



EdmoLift AB

Jägaregatan 11, SE-871 42 Härnösand, Sweden, Tel +46 (0)611-837 80
Fax +46 (0)611-51 15 80, E-mail: b2b@edmolift.se

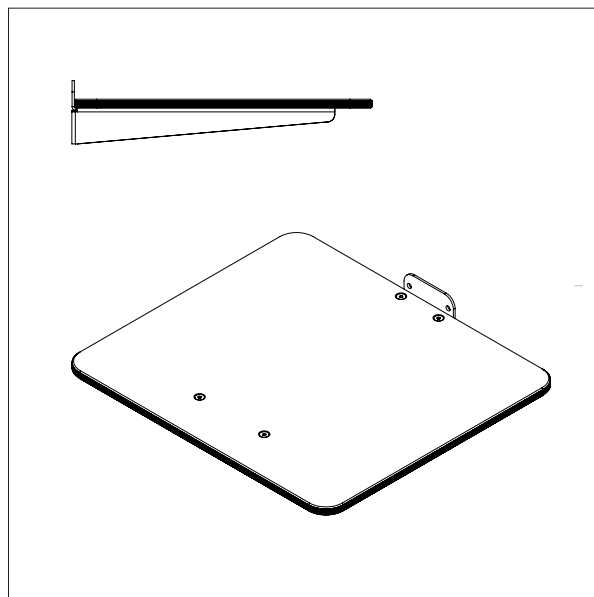
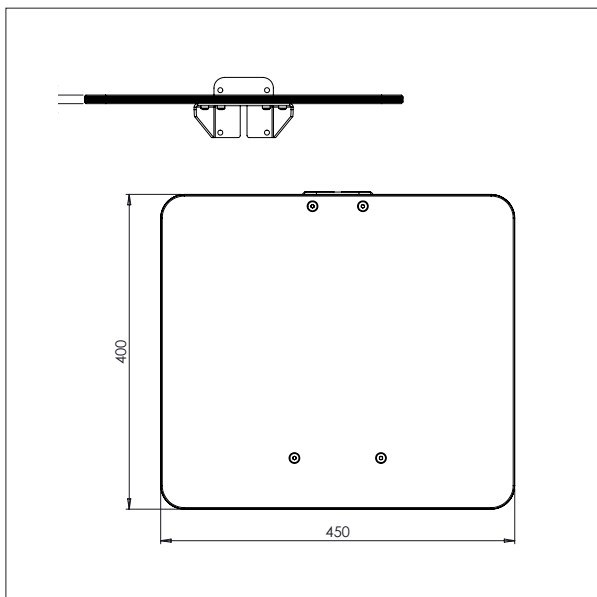
WP 70 / TOOLS

WOODEN PLATFORM

- All measurements in mm

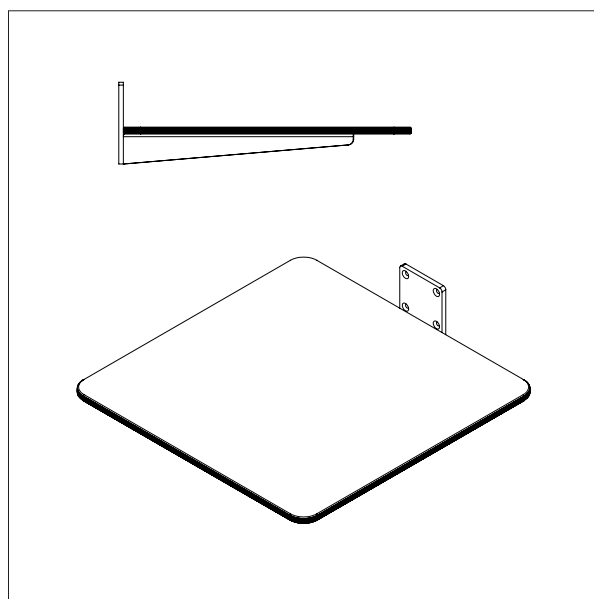
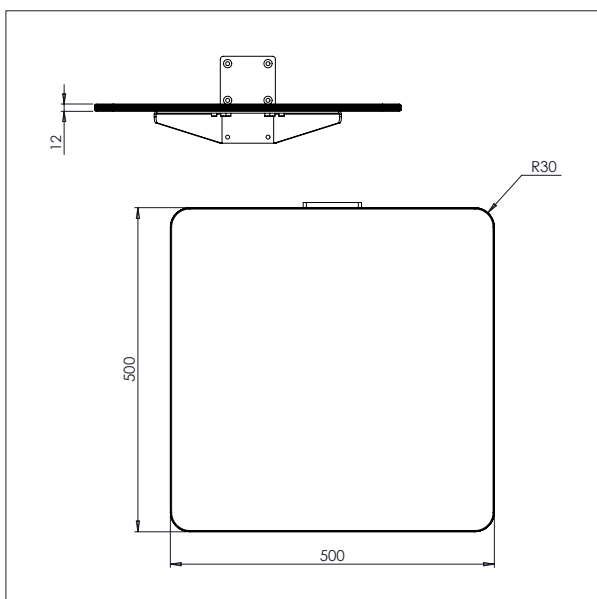
WOODEN PLATFORM – 87360

L x W: 400 x 450 mm



WOODEN PLATFORM – 87361

L x W: 500 x 500 mm



EdmoLift AB

Jägaregatan 11, SE-871 42 Härnösand, Sweden, Tel +46 (0)611-837 80
Fax +46 (0)611-51 15 80, E-mail: b2b@edmolift.se

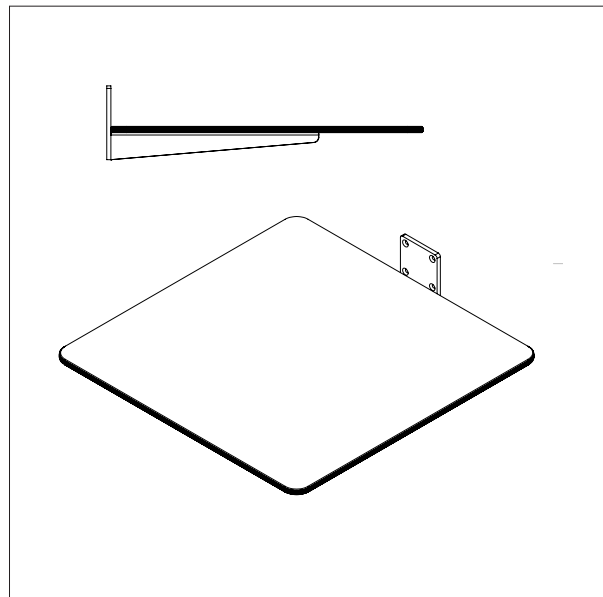
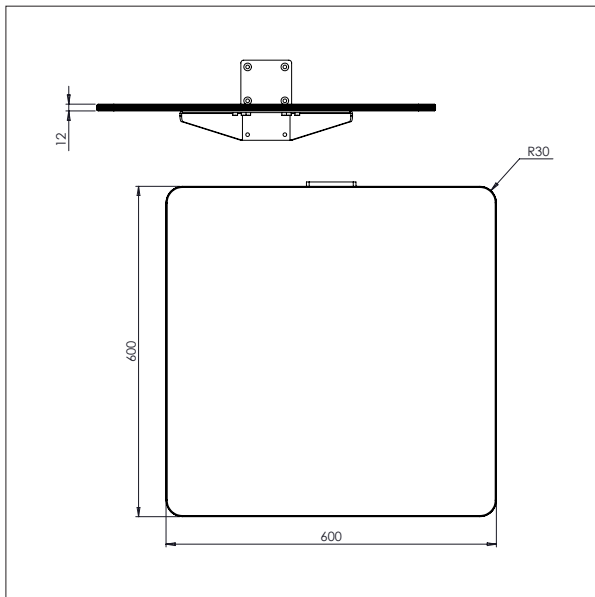
WP 70 / TOOLS

WOODEN PLATFORM

- All measurements in mm

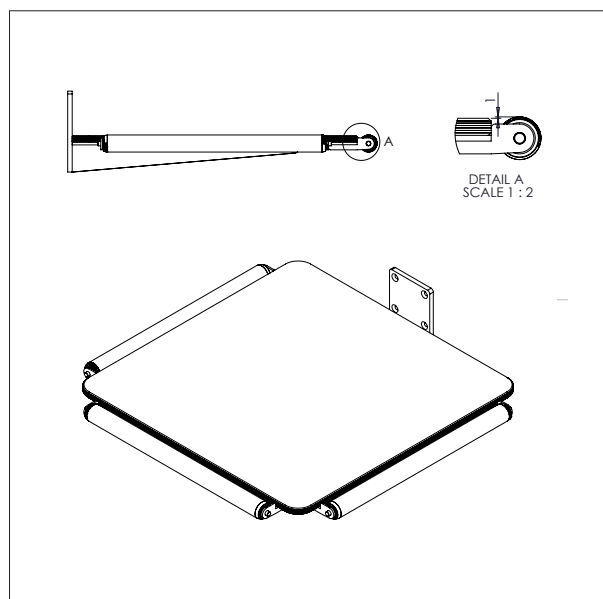
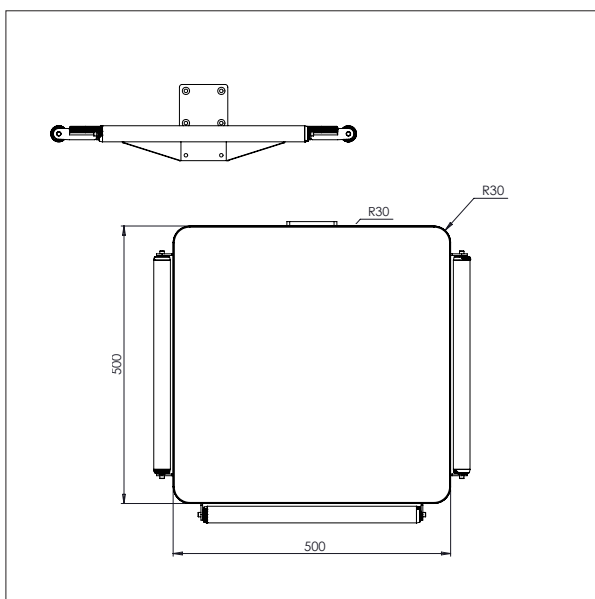
WOODEN PLATFORM – 87362

L x W: 600 x 600 mm



WOODEN PLATFORM WITH 3 ROLLERS – 87363

L x W: 500 x 500 mm



EdmoLift AB

Jägaregatan 11, SE-871 42 Härnösand, Sweden, Tel +46 (0)611-837 80
Fax +46 (0)611-51 15 80, E-mail: b2b@edmolift.se

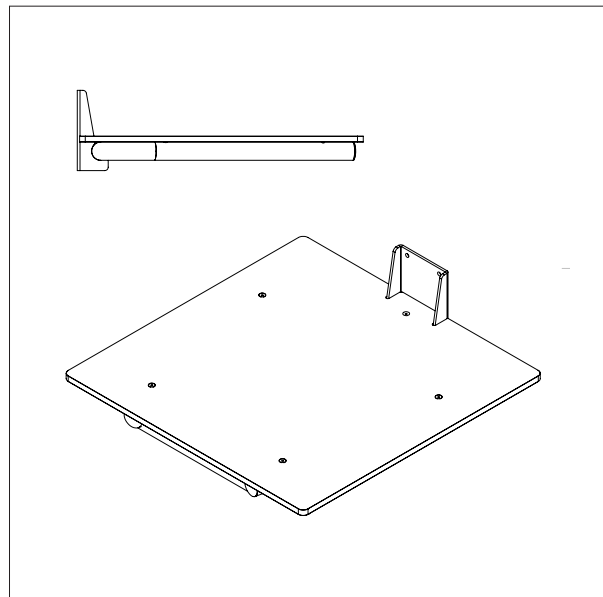
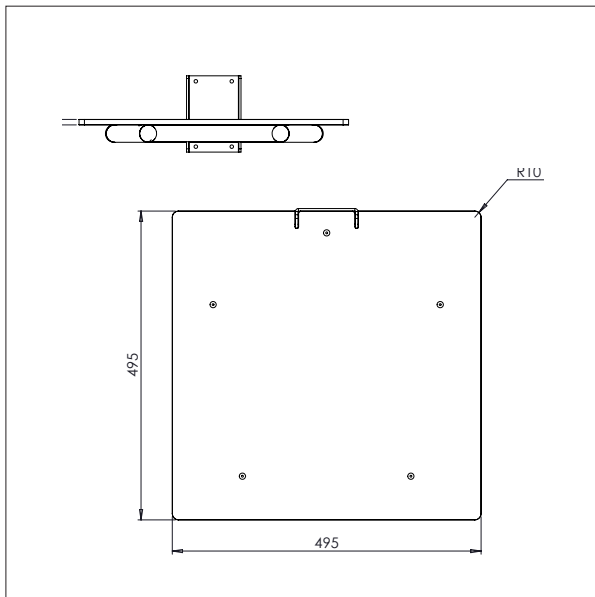
WP 70 / TOOLS

PLASTIC PLATFORM (PEHD)

- All measurements in mm

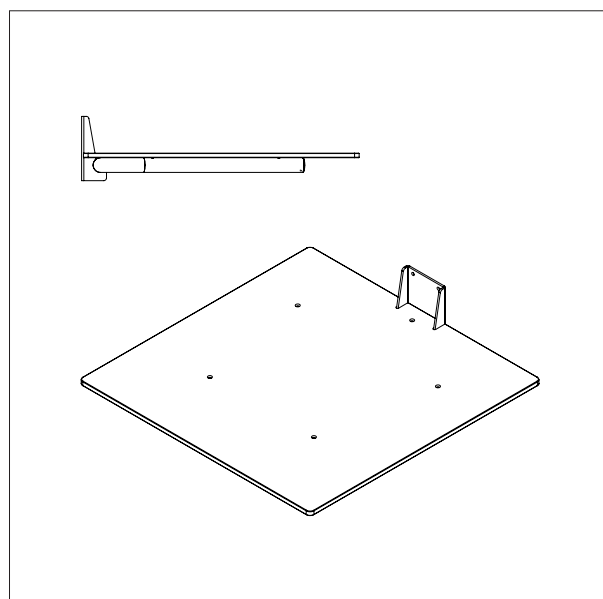
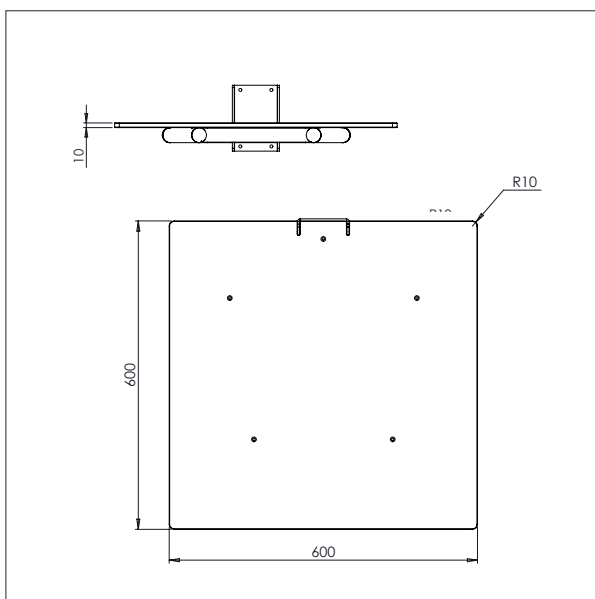
PLASTIC PLATFORM – 87364

L x W: 500 x 500 mm



PLASTIC PLATFORM – 87365

L x W: 600 x 600 mm



EdmoLift AB

Jägaregatan 11, SE-871 42 Härnösand, Sweden, Tel +46 (0)611-837 80
Fax +46 (0)611-51 15 80, E-mail: b2b@edmolift.se

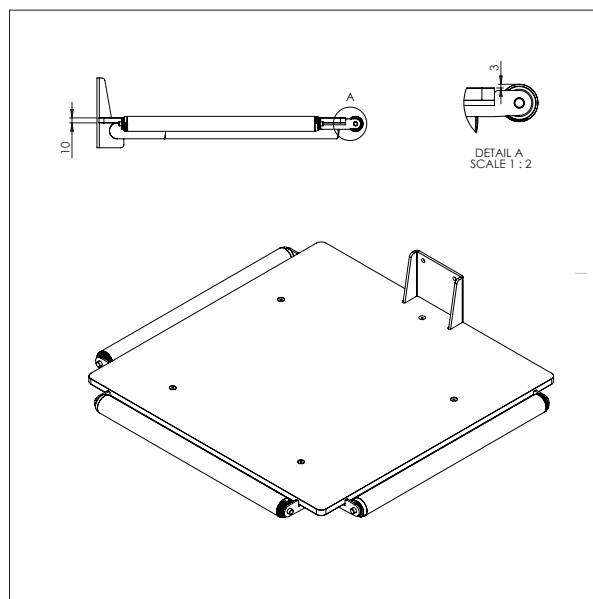
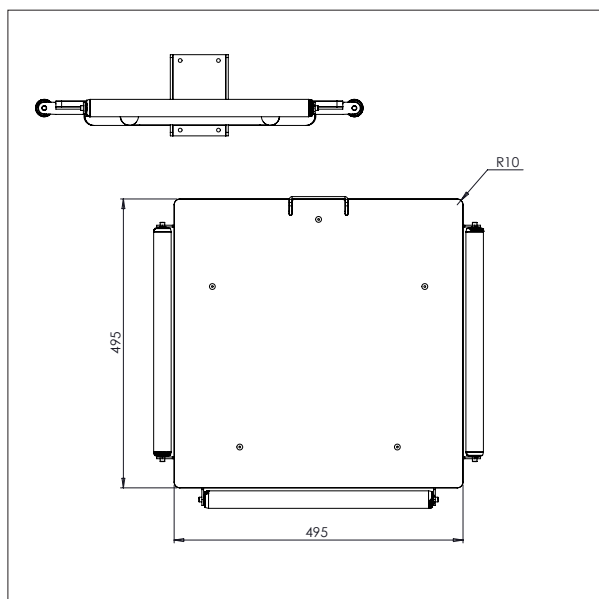
WP 70 / TOOLS

PLASTIC PLATFORM (PEHD)

- All measurements in mm

PLASTIC PLATFORM WITH 3 ROLLERS – 87366

L x W: 500 x 500 mm



EdmoLift AB

Jägaregatan 11, SE-871 42 Härnösand, Sweden, Tel +46 (0)611-837 80
Fax +46 (0)611-51 15 80, E-mail: b2b@edmolift.se

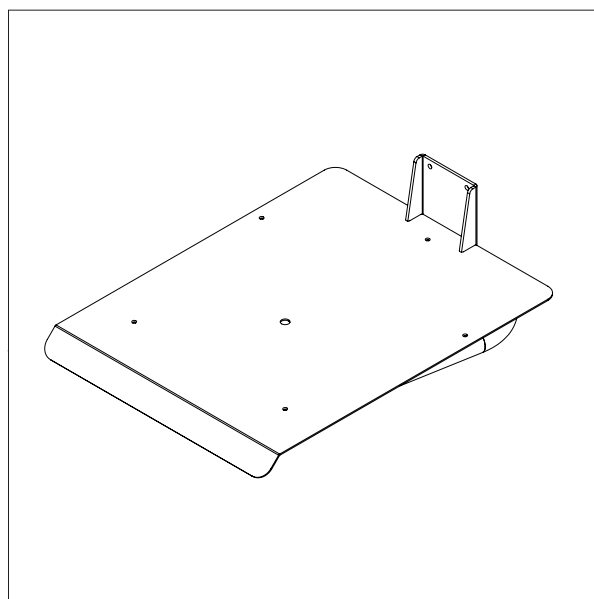
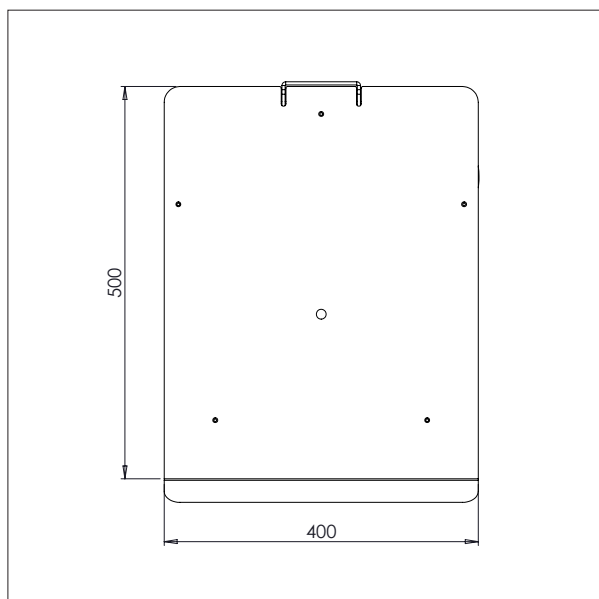
WP 70 / TOOLS

STAINLESS STEEL PLATFORM

- All measurements in mm

STAINLESS STEEL PLATFORM- 87372

L x W: 500 x 500 mm



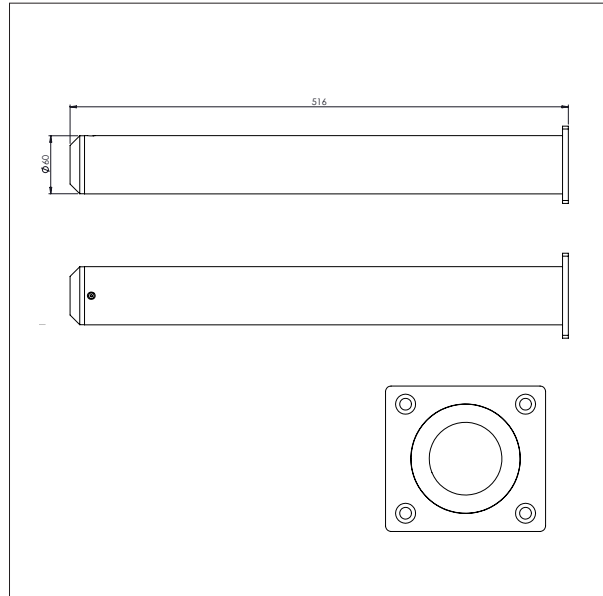
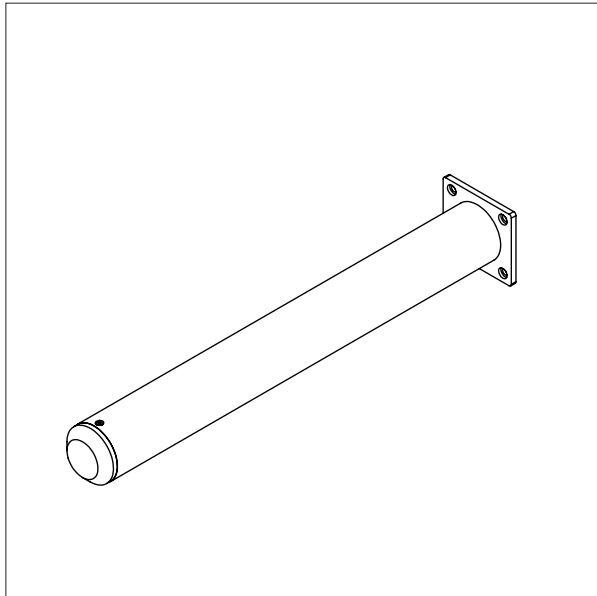
WP 70 / TOOLS

REEL MANDREL

- All measurements in mm

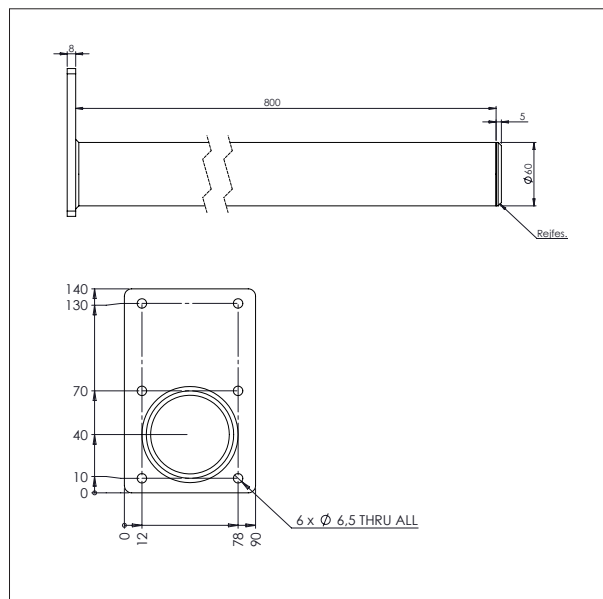
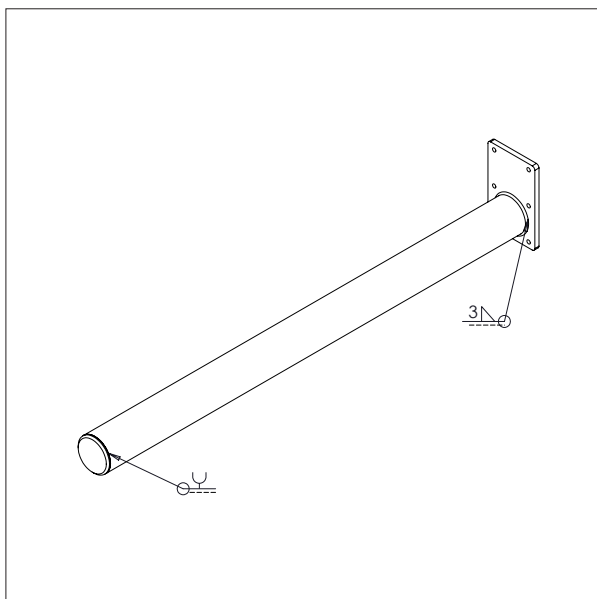
REEL MANDREL – 87367

Ø x L: 60 x 500 mm



REEL MANDREL – 87368

Ø x L: 60 x 800 mm



EdmoLift AB

Jägaregatan 11, SE-871 42 Härnösand, Sweden, Tel +46 (0)611-837 80
Fax +46 (0)611-51 15 80, E-mail: b2b@edmolift.se

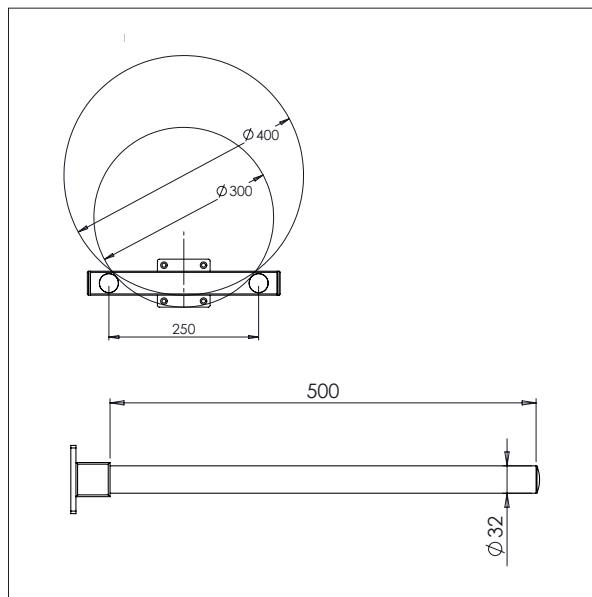
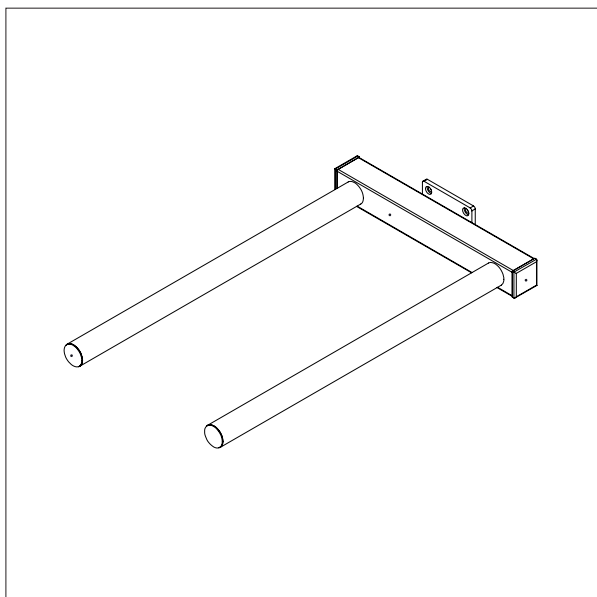
WP 70 / TOOLS

TWIN MANDREL

- All measurements in mm

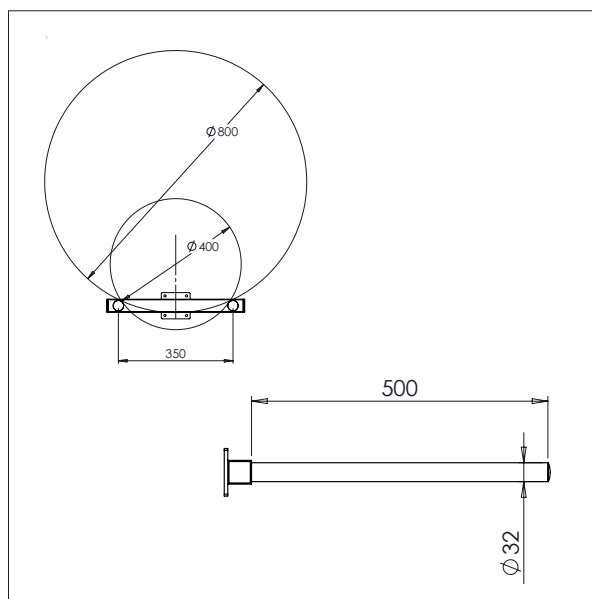
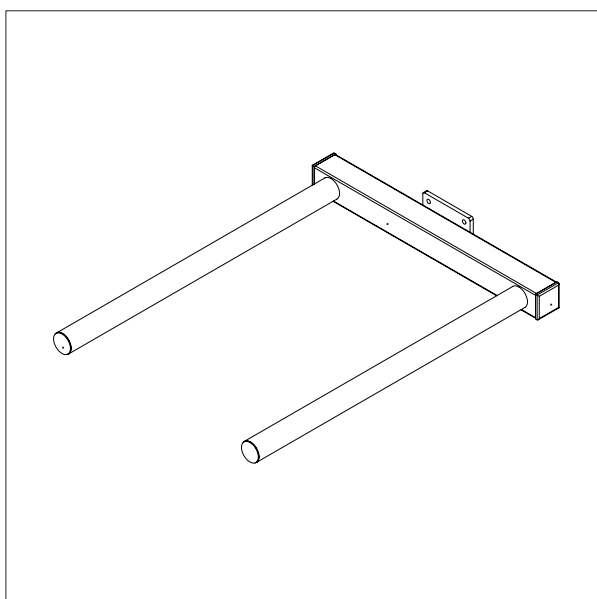
TWIN MANDREL – 87369
Ø x L x W: 32 x 500 x 250 mm

Min. width of reel: Ø 300 mm
Max. width of reel: Ø 400 mm



TWIN MANDREL – 87370
Ø x L x W: 32 x 500 x 350 mm

Min. width of reel: Ø 400 mm
Max. width of reel: Ø 800 mm



EdmoLift AB

Jägaregatan 11, SE-871 42 Härnösand, Sweden, Tel +46 (0)611-837 80
Fax +46 (0)611-51 15 80, E-mail: b2b@edmolift.se

WP 70 / TOOLS

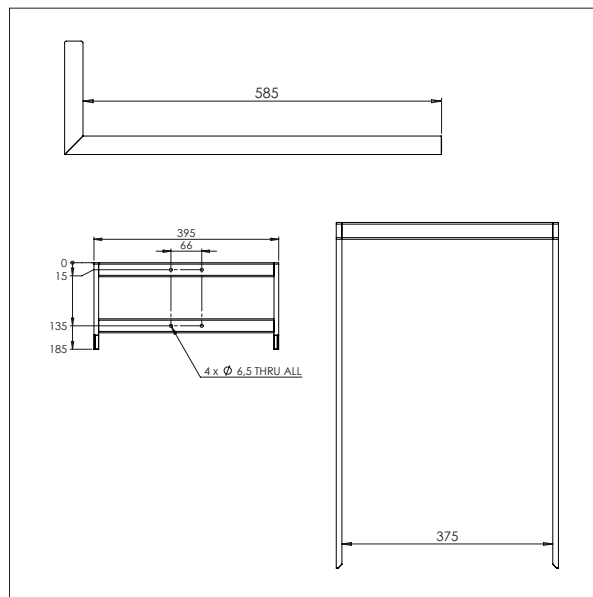
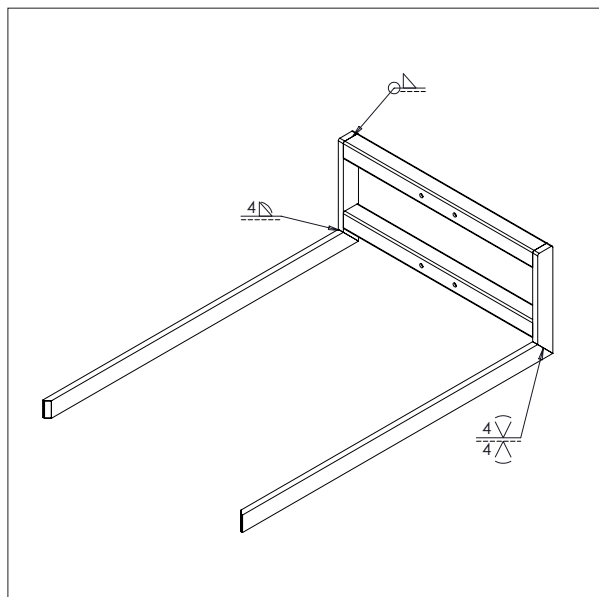
LIFTING FORK

- All measurements in mm

LIFTING FORK - 87416

L x W: 585 x 375 mm

For 600 x 400 mm boxes



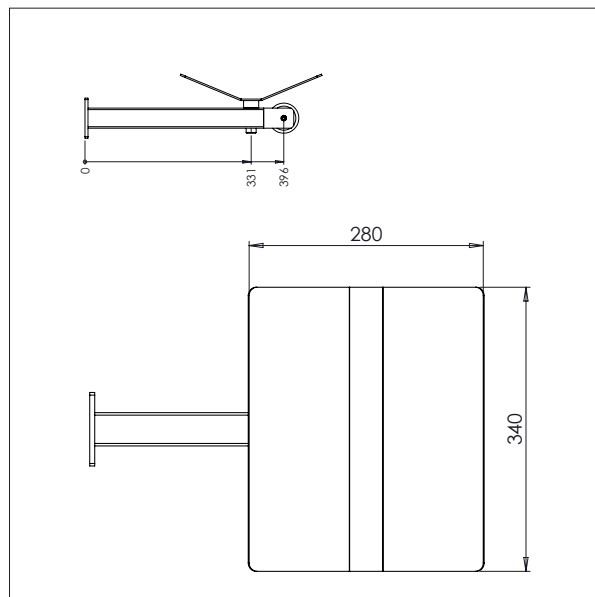
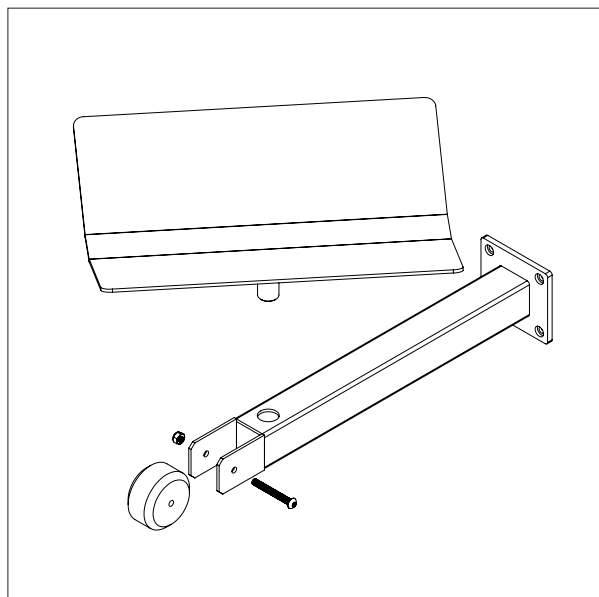
EdmoLift AB

Jägaregatan 11, SE-871 42 Härnösand, Sweden, Tel +46 (0)611-837 80
Fax +46 (0)611-51 15 80, E-mail: b2b@edmolift.se

REEL MANDREL WITH FRONT ROLLER AND V-CRADLE

- All measurements in mm

REEL MANDREL WITH FRONT ROLLER AND V-CRADLE – 87371

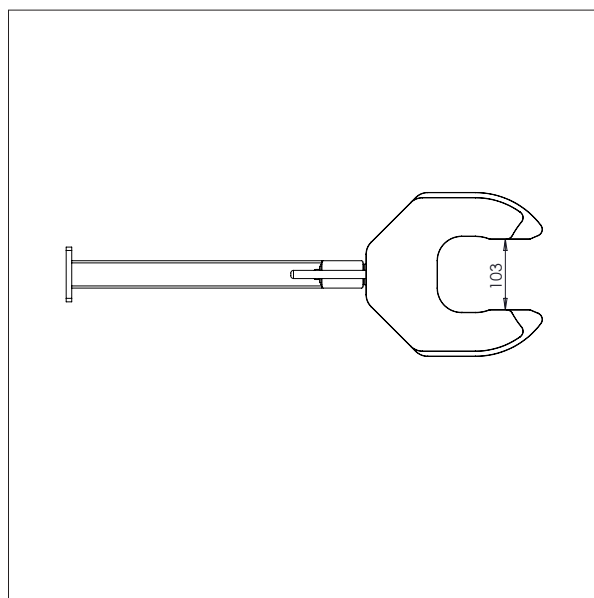
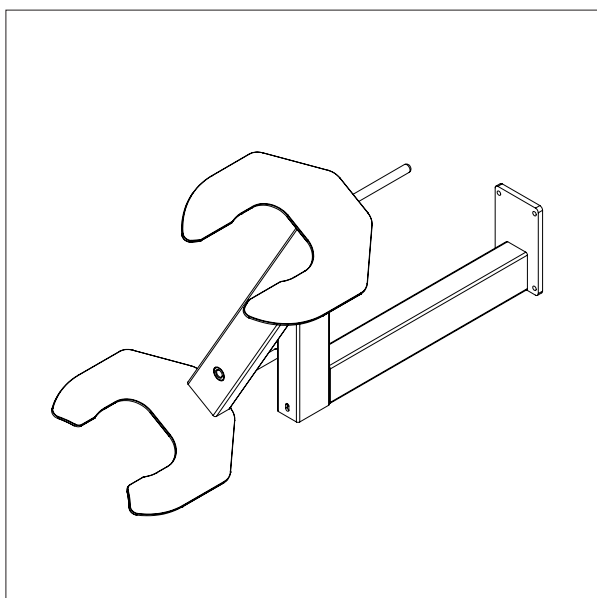
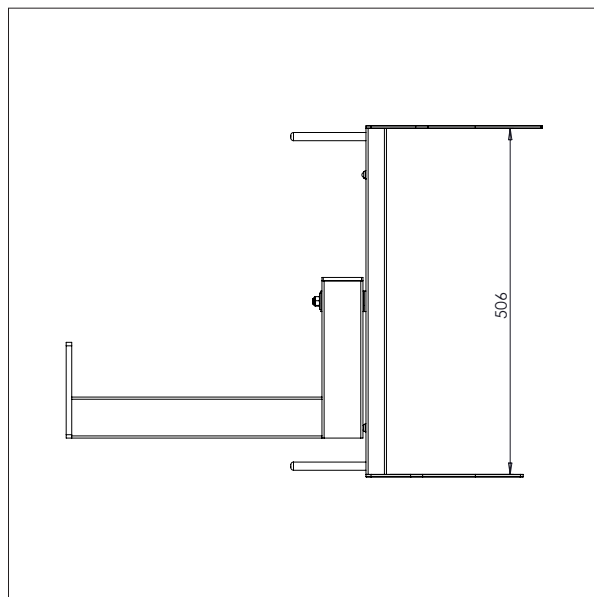
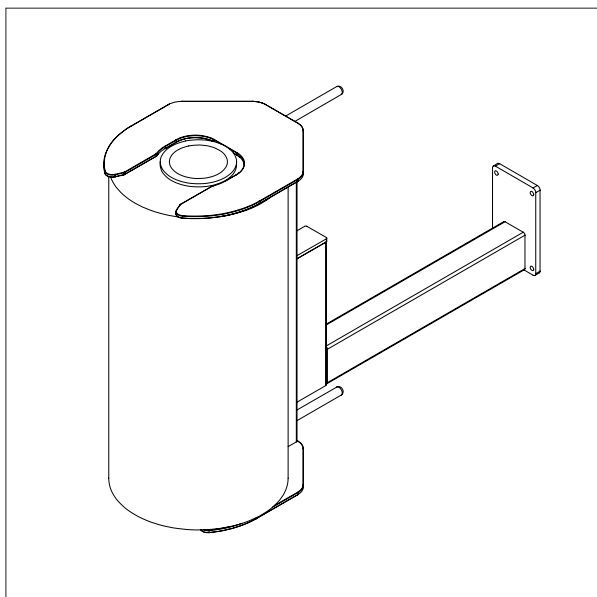


WP 70 / TOOLS

REEL ROTATOR

- All measurements in mm

REEL ROTATOR – 87373



EdmoLift AB

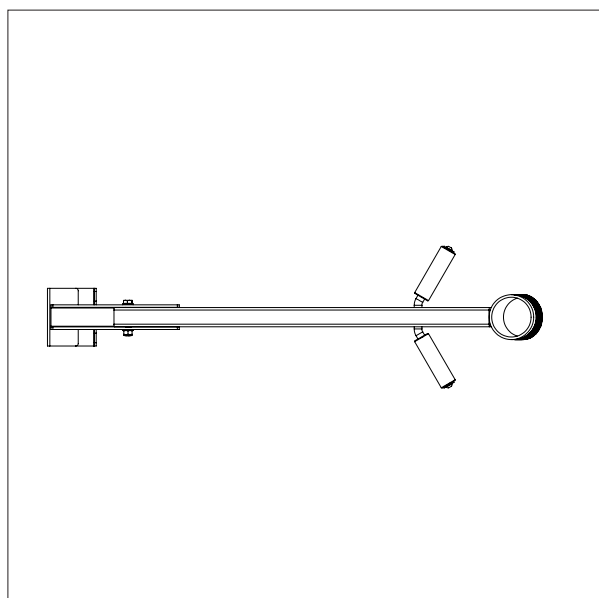
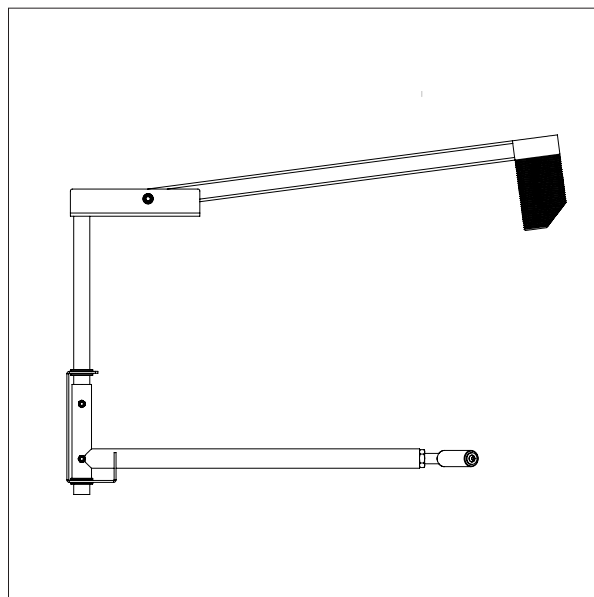
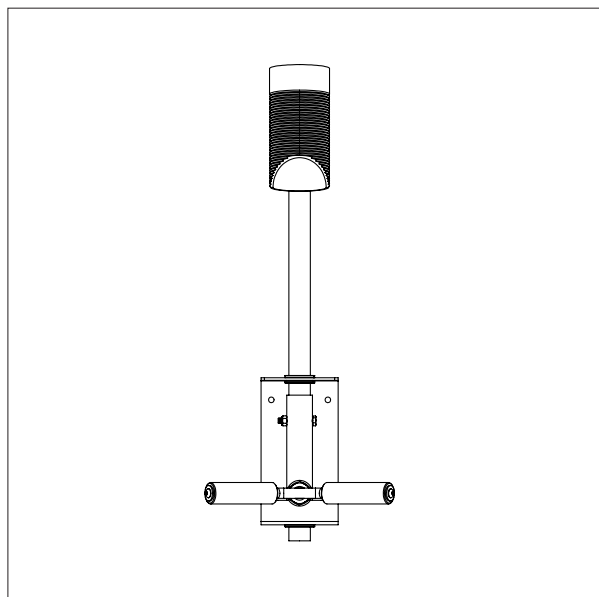
Jägaregatan 11, SE-871 42 Härnösand, Sweden, Tel +46 (0)611-837 80
Fax +46 (0)611-51 15 80, E-mail: b2b@edmolift.se

WP 70 / TOOLS

REEL HOLDER

- All measurements in mm

REEL HOLDER – 87413



EdmoLift AB

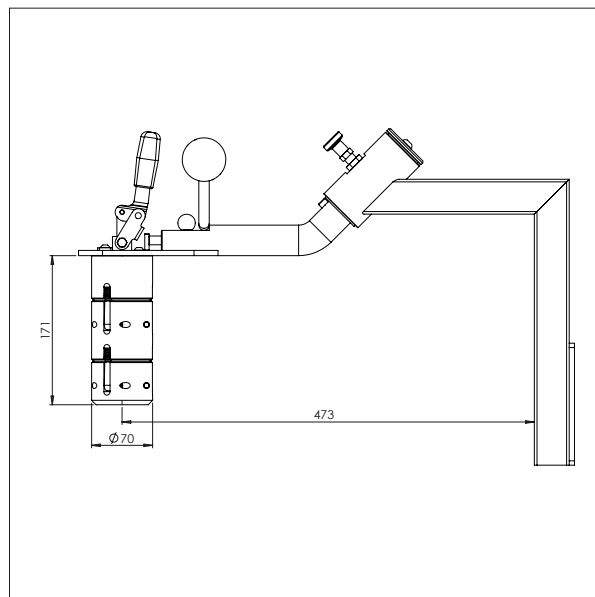
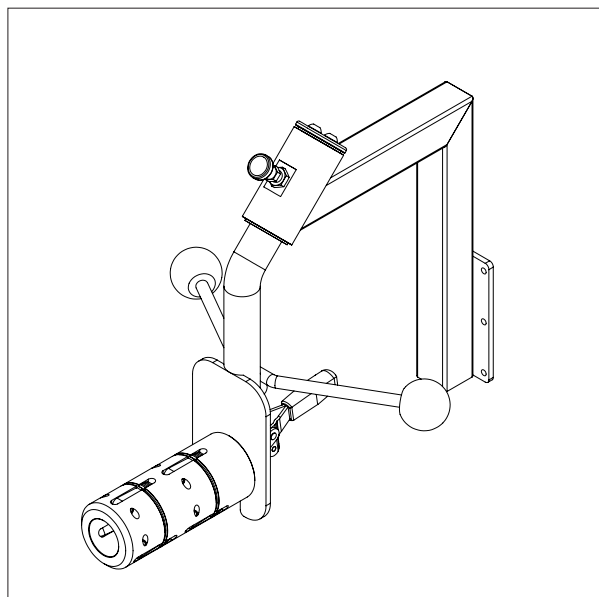
Jägaregatan 11, SE-871 42 Härnösand, Sweden, Tel +46 (0)611-837 80
Fax +46 (0)611-51 15 80, E-mail: b2b@edmolift.se

WP 70 / TOOLS

REEL ROTATOR

- All measurements in mm

REEL ROTATOR – 87799



EdmoLift AB

Jägaregatan 11, SE-871 42 Härnösand, Sweden, Tel +46 (0)611-837 80
Fax +46 (0)611-51 15 80, E-mail: b2b@edmolift.se